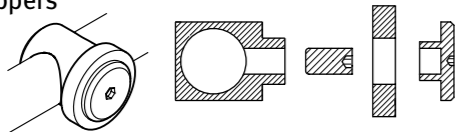


1 Set sliding door fittings **Project**

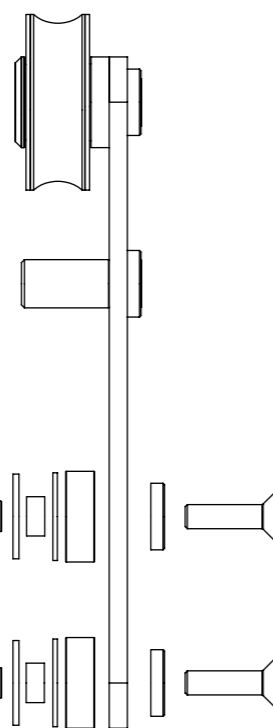
2 Guide rail



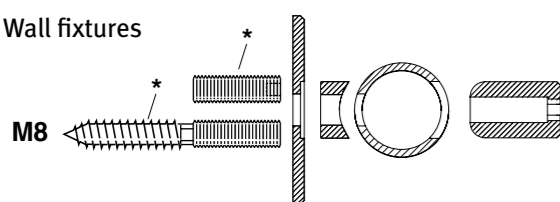
3 Door stoppers



4 Trolley complete

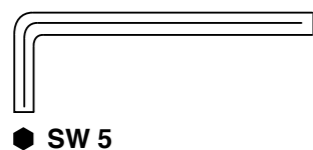


5 Wall fixtures



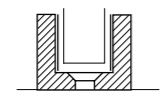
(without screws and dowels, at construction site)
* not included in scope of delivery.

6 Special tool



7 Bottom guide

(without screws and dowels, at construction site)



Comply with all general safety regulations when installing the sliding door fittings!

Installation to be completed by qualified licensed contractor.

Be sure to tighten all screw connections one week after starting to use the sliding door fittings!

Never use scouring agents to clean the sliding door fittings; rather use commercially available stainless-steel cleaners!

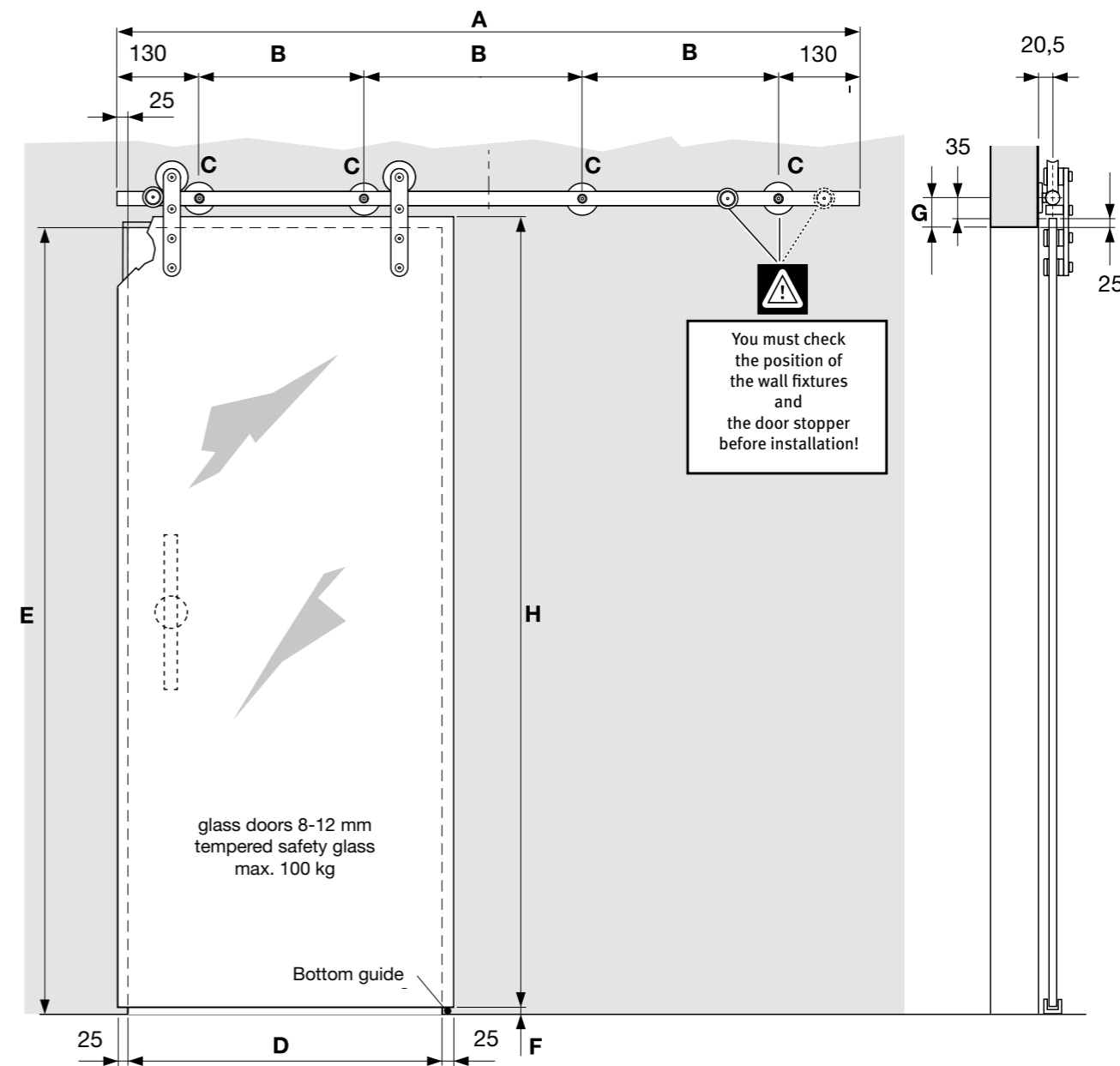
- Attention
- Screw on
- Screw on
- Screw on
- Loosen/Tighten
- Install
- At right angle
- Drill
- Dowels
- Adjust Set
- Level
- Perpendicular
- Measure Mark
- Visual inspection
- Special-tool
- 2 people required
- Measure
- Clarify questions
- See Instructions
- Secure

65_30_00.0180_US097_MONT_GB

Installation instructions

Sliding door fittings Project

for glass doors (8-12 mm)



Complete-sets

Set Project Artikel-No.	A mm	B mm	C Each	D mm	E mm	F mm	G mm	H max. mm (H=E-F+25)
US097-1800EF	1800	513	4	750 – 900	2500	7 – 10	60	2518
US097-2100EF	2100	613	4	910 – 1000	2500	7 – 10	60	2518
US097-2300EF	2300	510	5	1010 – 1120	2500	7 – 10	60	2518
US097-2540EF	2540	570	5	1130 – 1250	2500	7 – 10	60	2518

Right to make technical changes reserved - Dimensions in mm - Version 03.2016
© by ABP-Beyerle GmbH



ABP-Beyerle GmbH

Im Schollengarten 24 b, D - 76646 Bruchsal (Germany)

Tel. + 49 - (0) 7257 / 9127 - 0, Fax + 49 - (0) 7257 / 9127 - 29, Email info@abp-beyerle.de, www.abp-beyerle.de



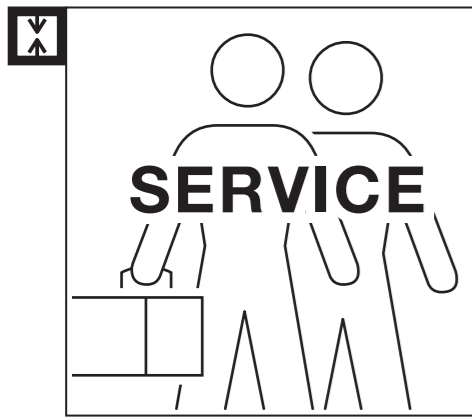


Fig. 1

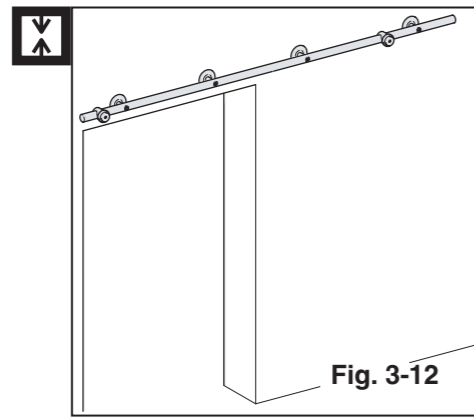


Fig. 3-12

Fig. 2

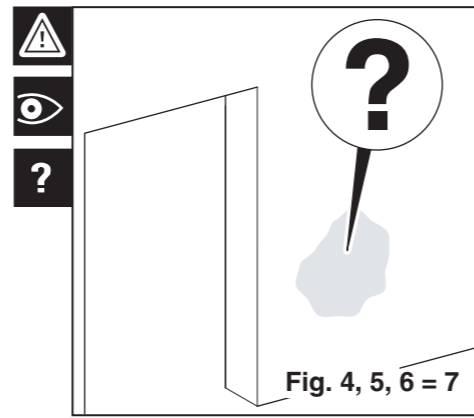


Fig. 4, 5, 6 = 7

Fig. 3

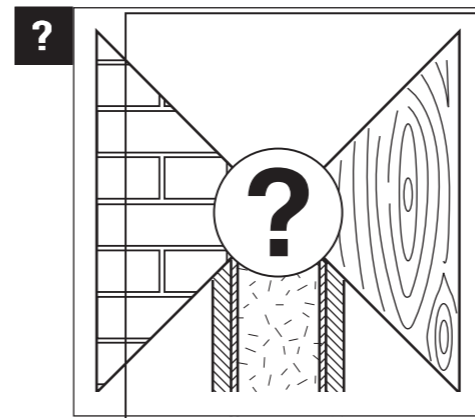


Fig. 4

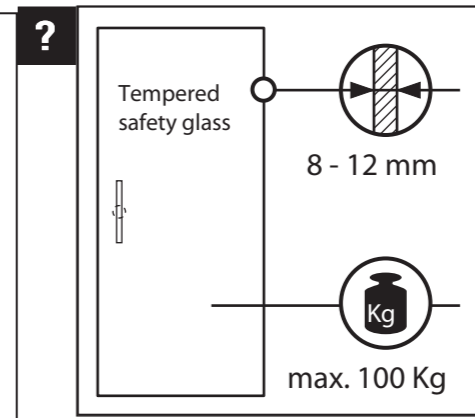


Fig. 5

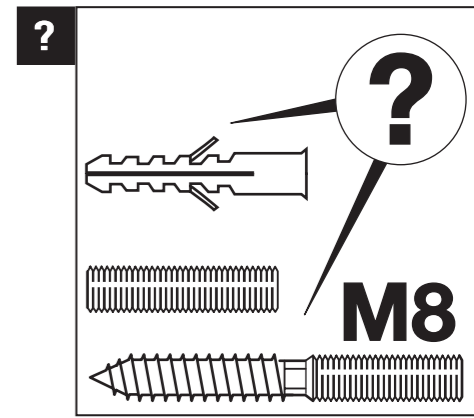


Fig. 6

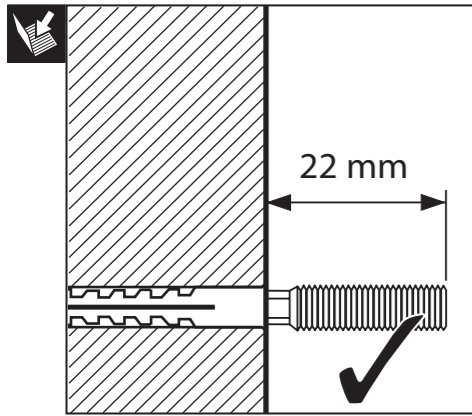


Fig. 7

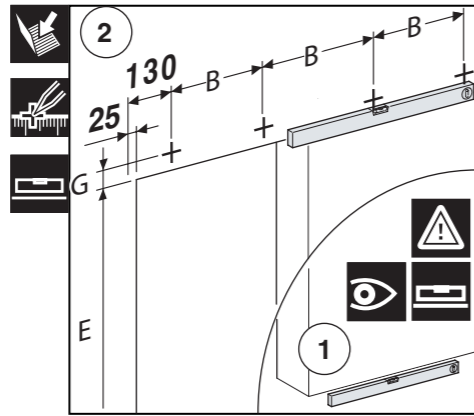


Fig. 8

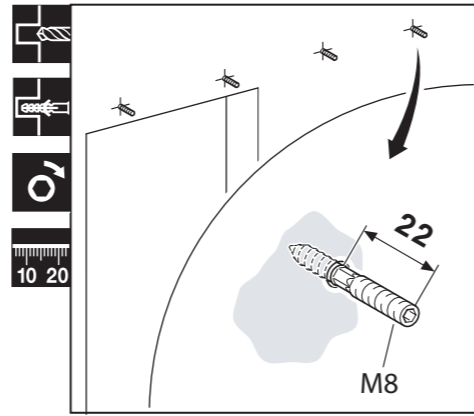


Fig. 9

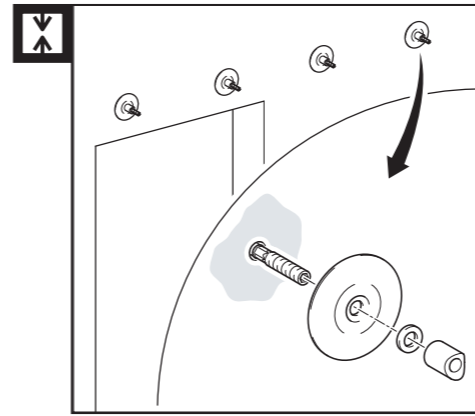


Fig. 10

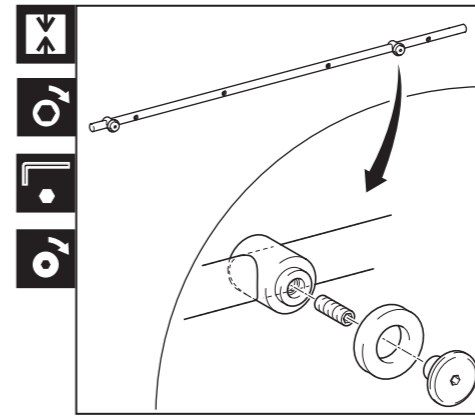


Fig. 11

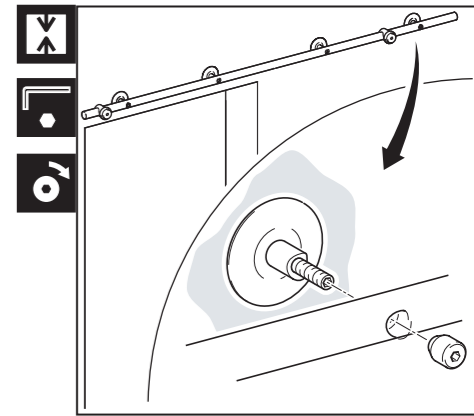


Fig. 12

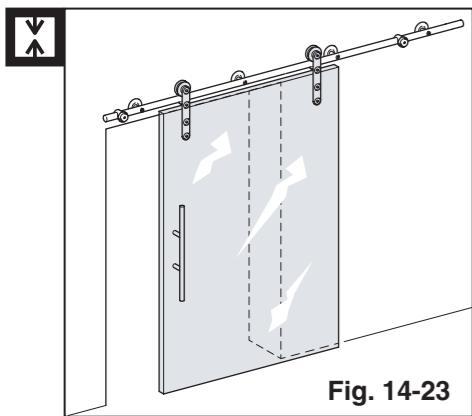


Fig. 14-23

Fig. 13

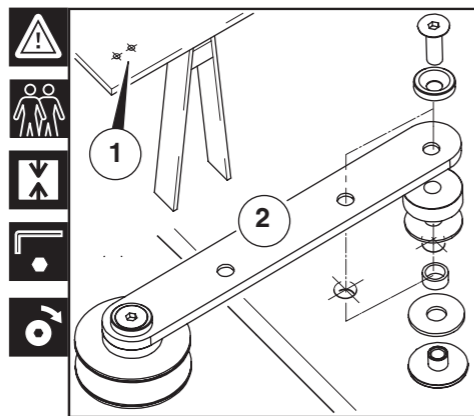


Fig. 14

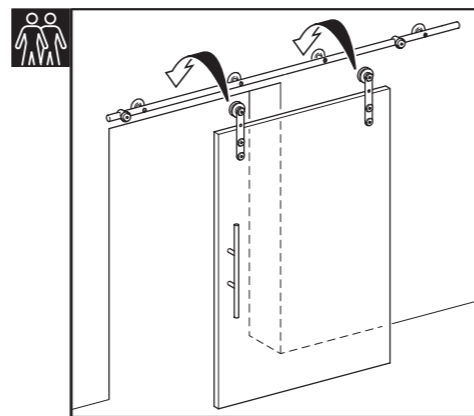


Fig. 15

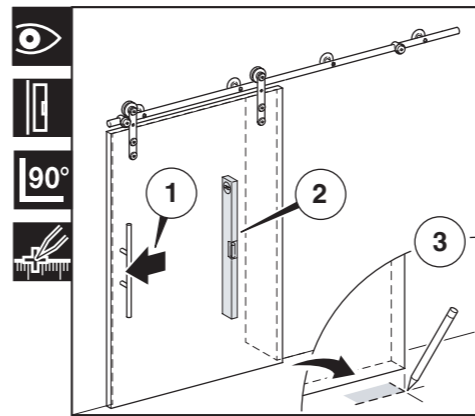


Fig. 16

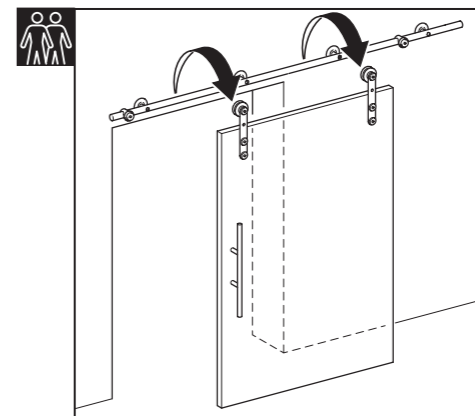


Fig. 17

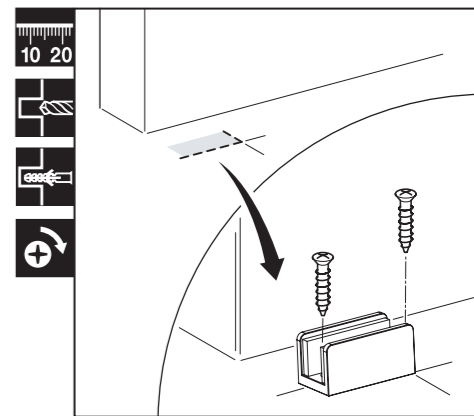


Fig. 18

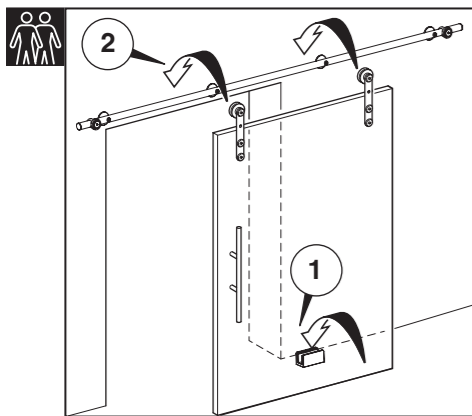


Fig. 19

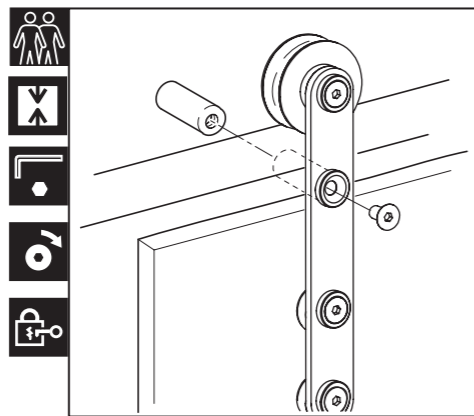


Fig. 20

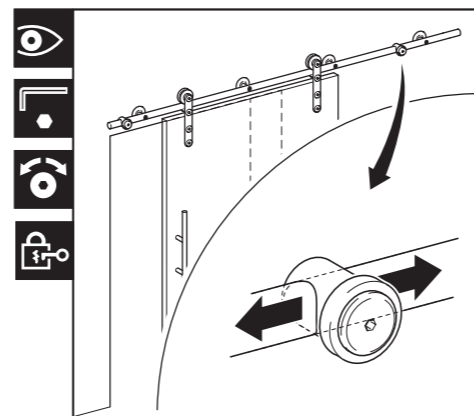


Fig. 21

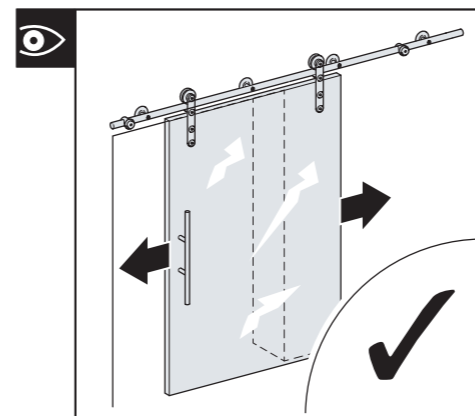


Fig. 22